

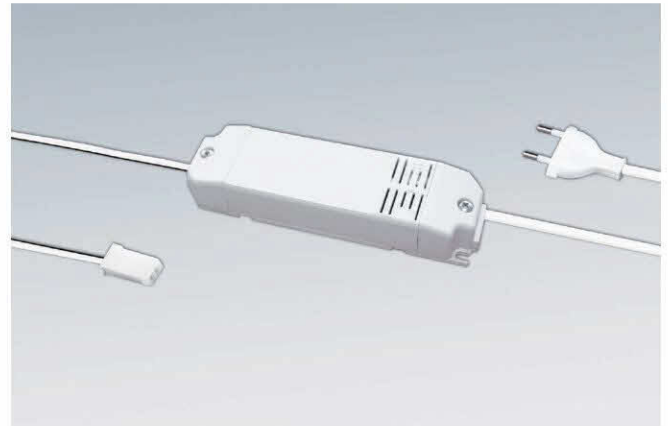
DRIVER 14W

LED 24V - IN 220÷240V

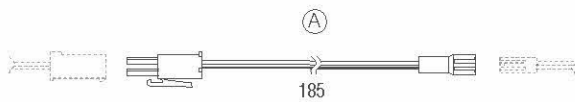
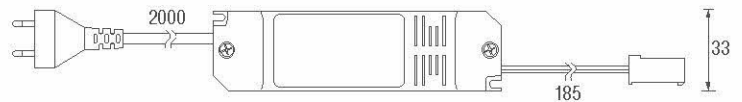
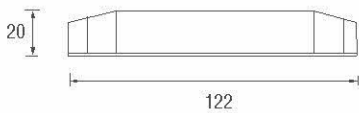
IT Driver per LED con cavo e spina - Tipo indipendente per uso interno, tensione di uscita costante 24V; protetto contro il corto circuito e il sovraccarico.

EN LED driver with cable and plug - Independent type for internal use, constant exit voltage 24V, protected against short circuit and overload.

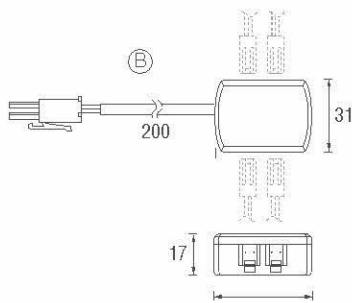
DE LED-Konverter mit Kabel und Stecker - Unabhängige Konverter mit staendiger Ausgangsspannung 24V, kurzschlussfest und ueberbelastungsgeschuetzt.



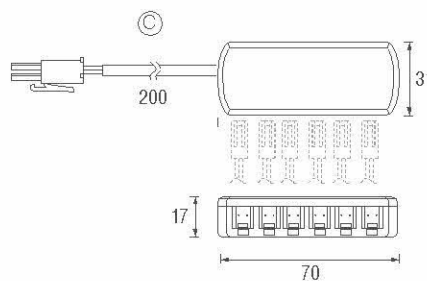
CE ENEC EMC SELV



(A) Cavo per connessione singola
Single connection cable
Einzelverbindungskabel



(B) Distributore a 4 uscite
4-way distribution box
4-fach Verteiler



(C) Distributore a 6 uscite
6-way distribution box
6-fach Verteiler

Alimentatore - Driver - LED-Konverter				
V IN	Hz	V OUT	W	Codice - Part no. - Artikel-Nr.
220V÷240V	50...60Hz	24V	14W	3T493401
Accessori - Accessories - Zubehör				
				Codice - Part no. - Artikel-Nr.
(A)	Prolunga / Extension / Verlängerungskabel			6LC10008
(B)	4 uscite / 4 Way / 4-fach			1T3010
(C)	6 uscite / 6 way / 6-fach			1T3011

Imballo - Packaging - Verpackung		
Pcs	Kg	mm
1	0,167	55 x 60 x 155
1	0,005	
1	0,021	
1	0,028	

Dimensioni in millimetri (mm)
Dimensions in Millimeters (mm) - Dimensionen in Millimetern (mm)

Compatibile con prodotti LED 24V
Compatible with 24V LED products - Kompatibel mit 24V LED Produkten

