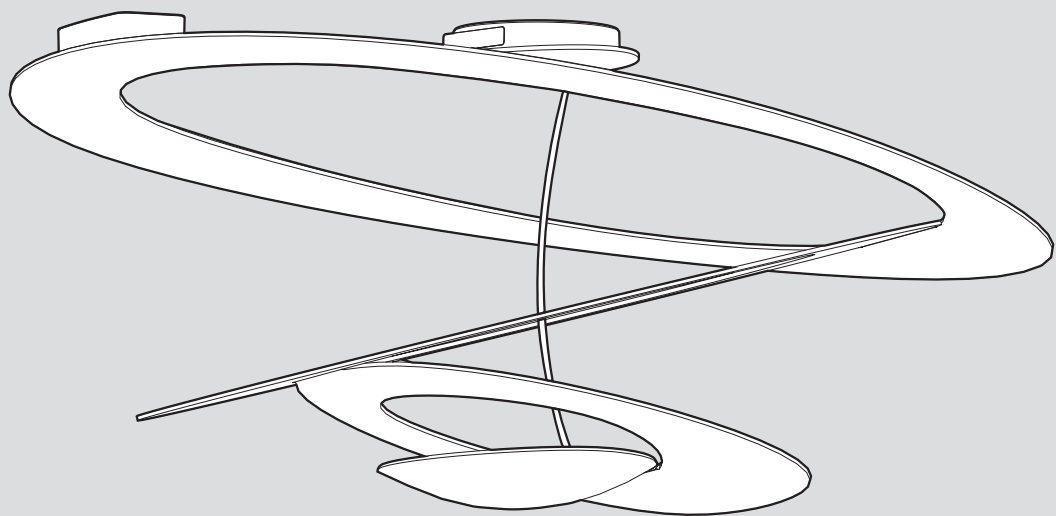


Artemide®

Pirce

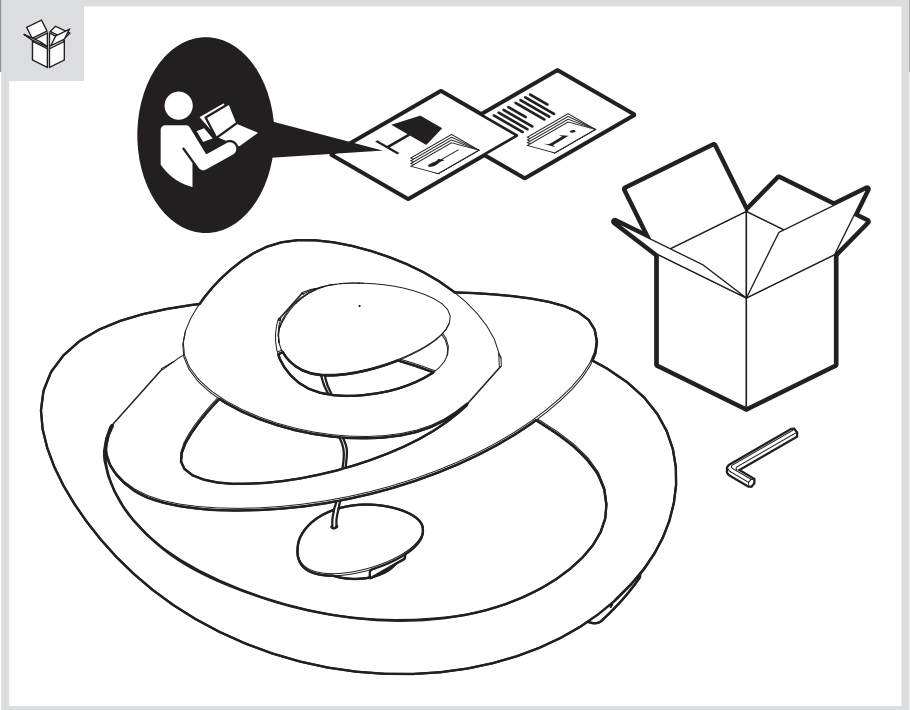
design
G. M. Scutellà

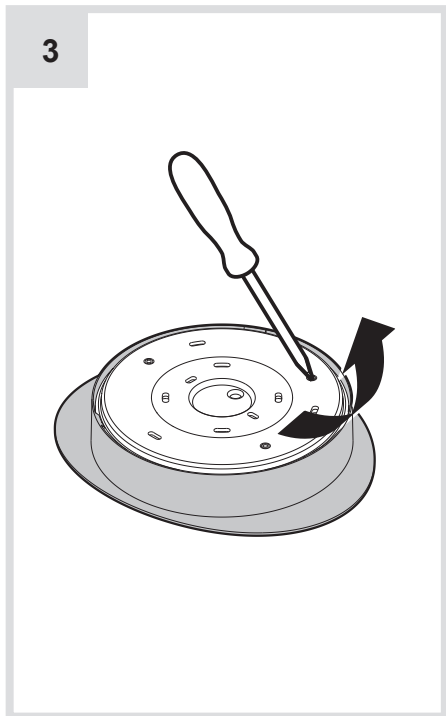
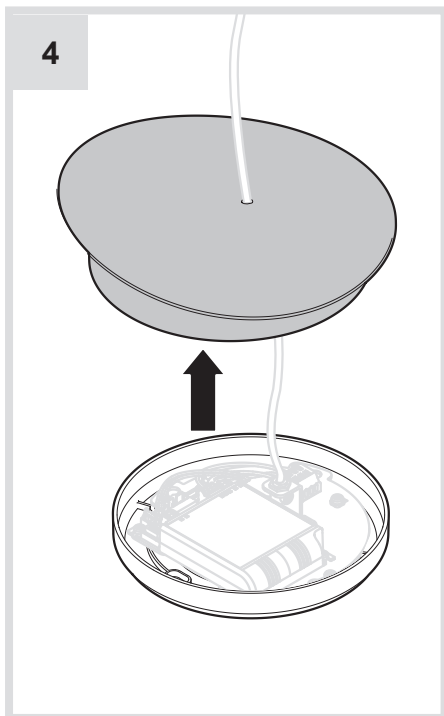
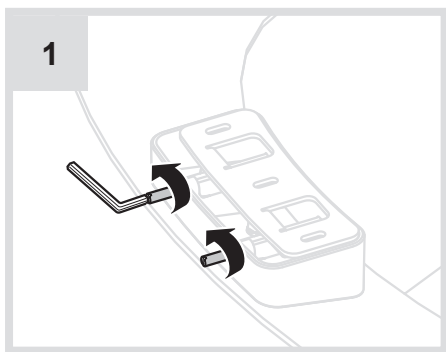
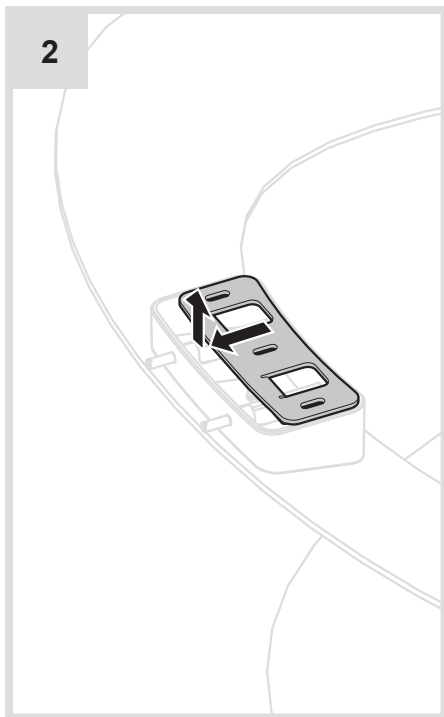
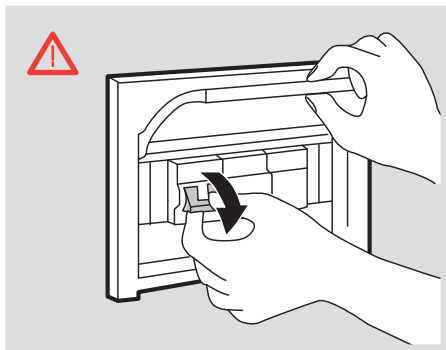




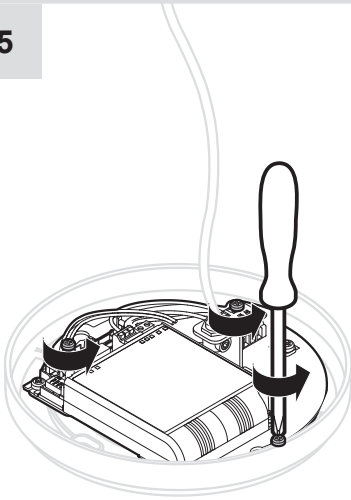
i

CE	EN 603	IP20		
LED1				
?	→		→	

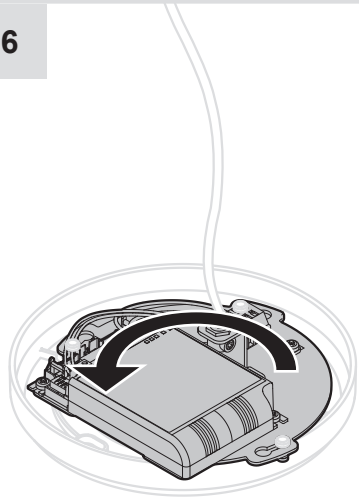




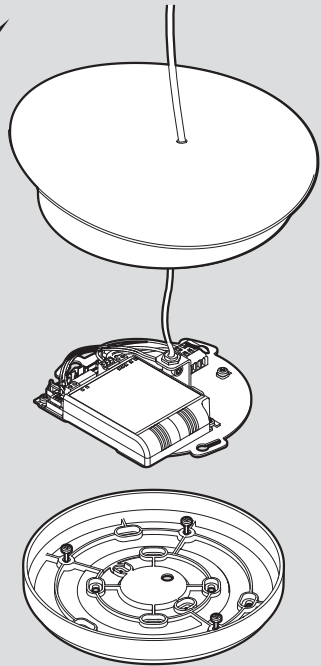
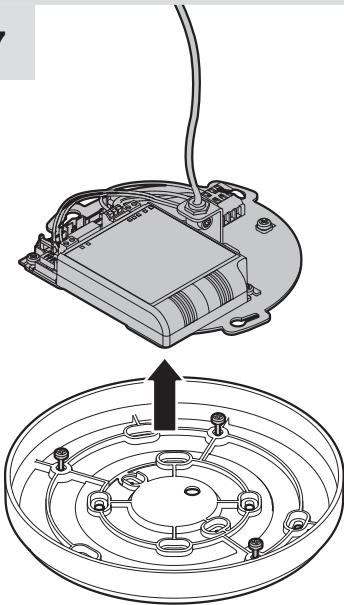
5



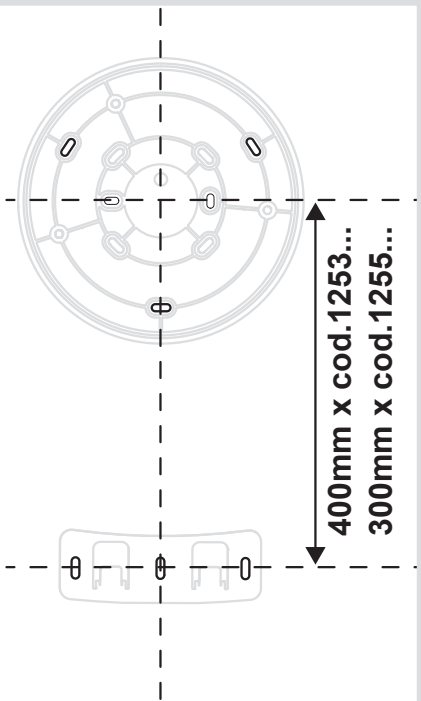
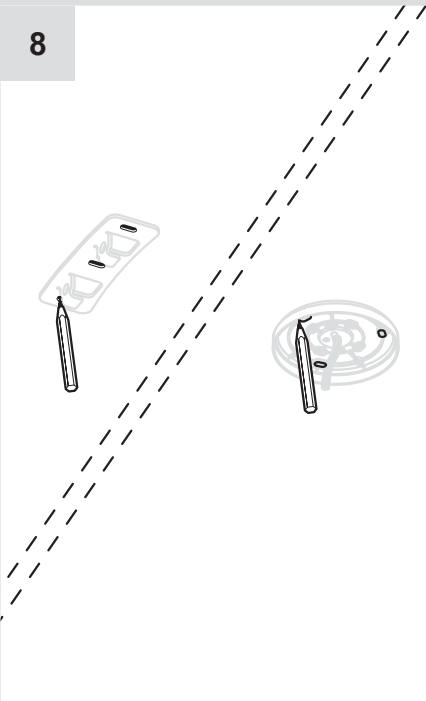
6



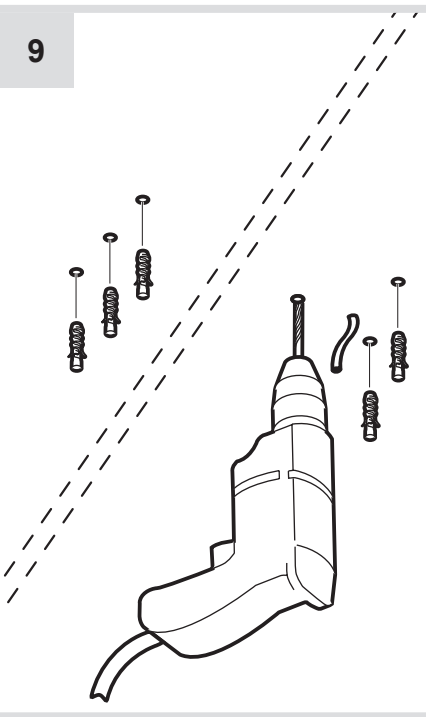
7



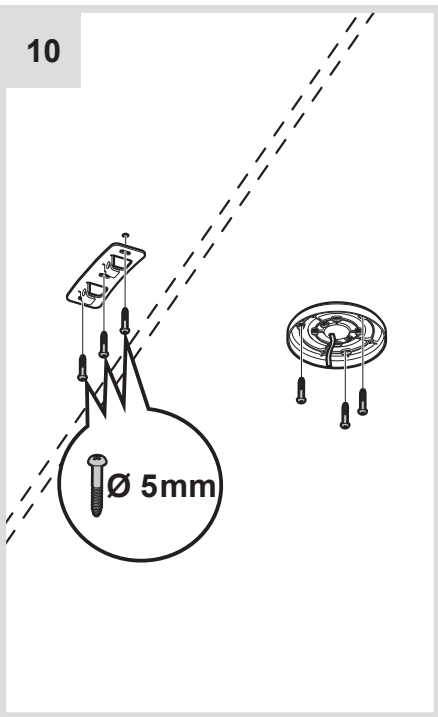
8



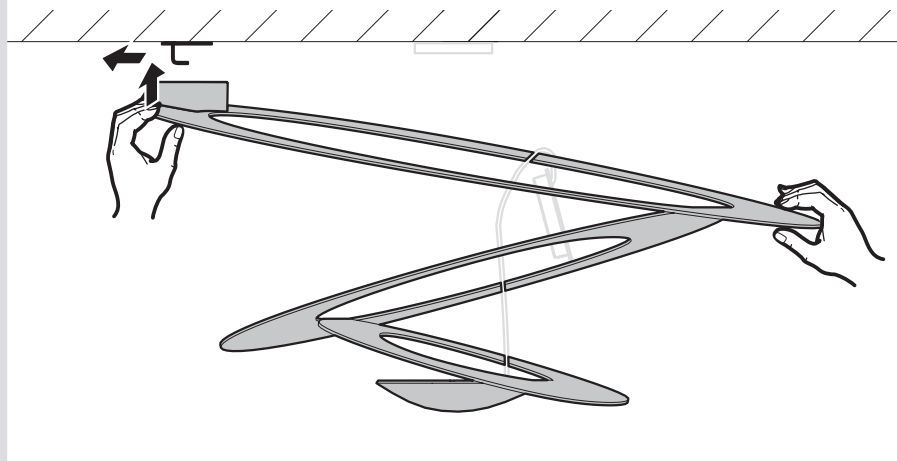
9



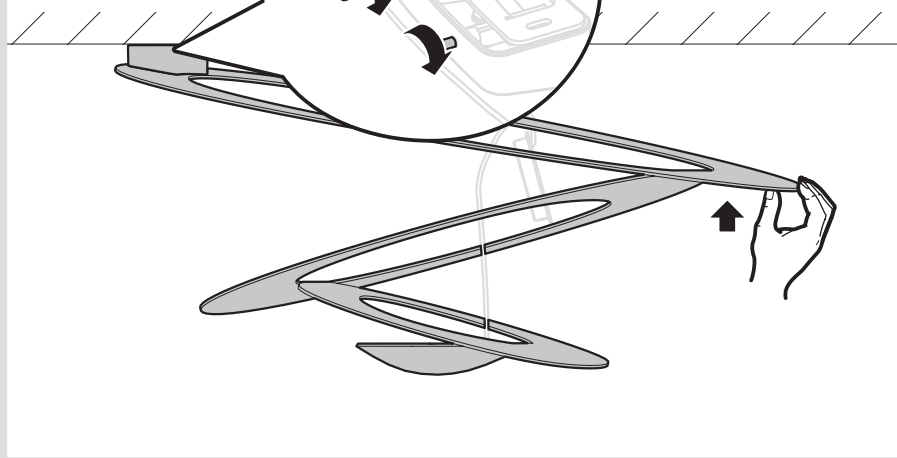
10



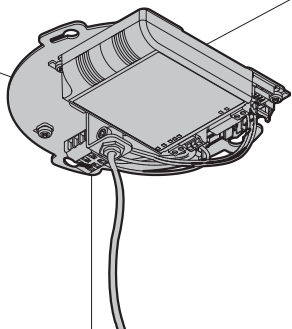
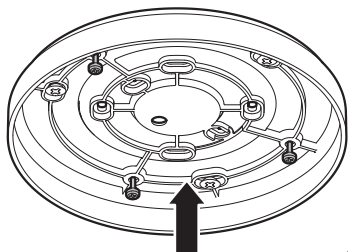
11



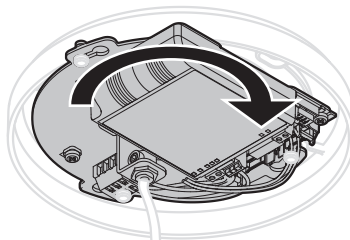
12



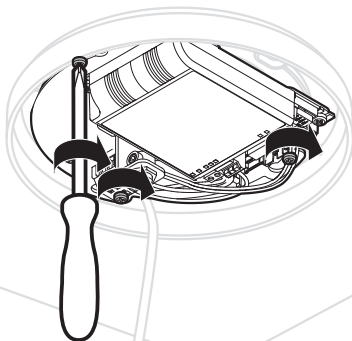
13



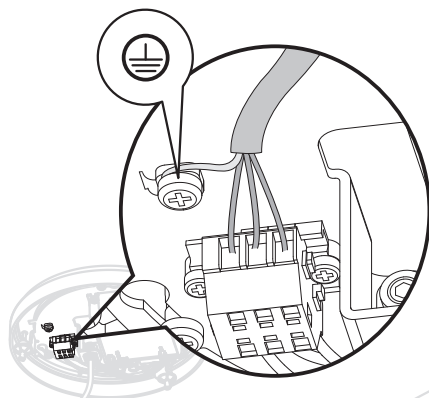
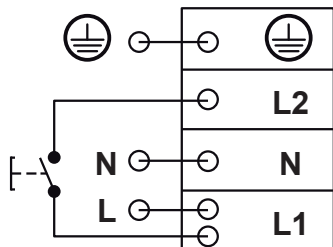
14



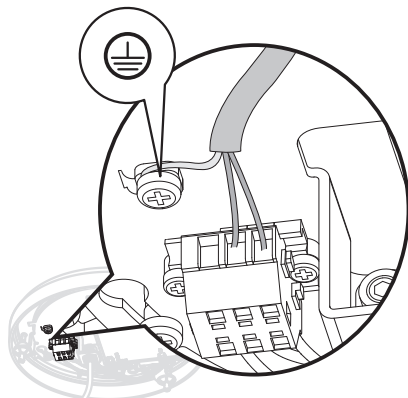
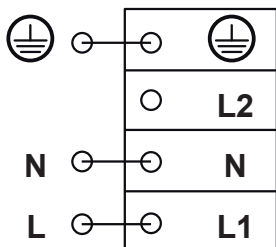
15

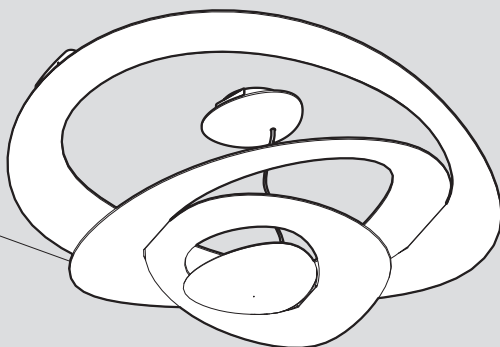
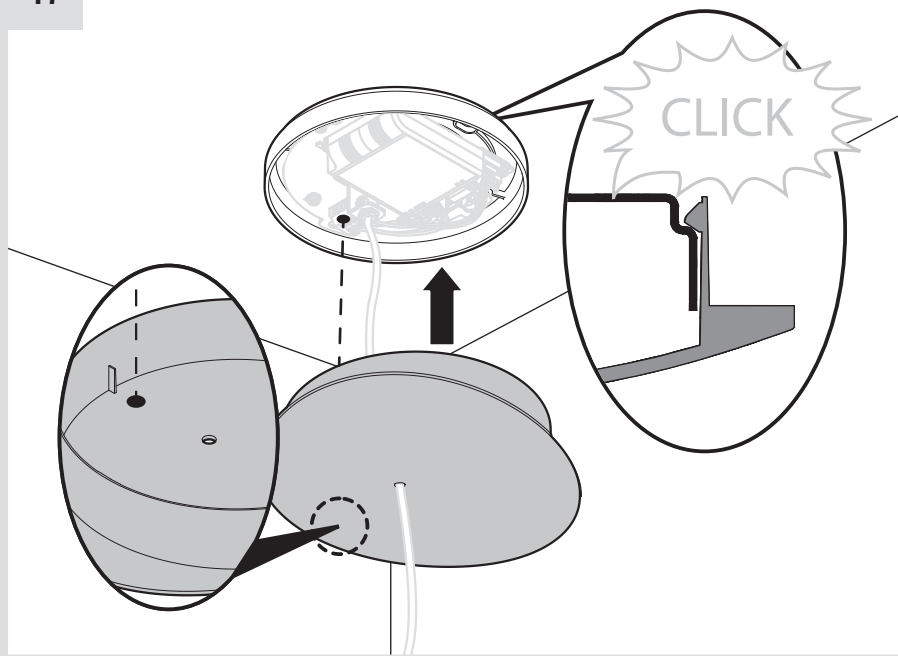


16a



16b



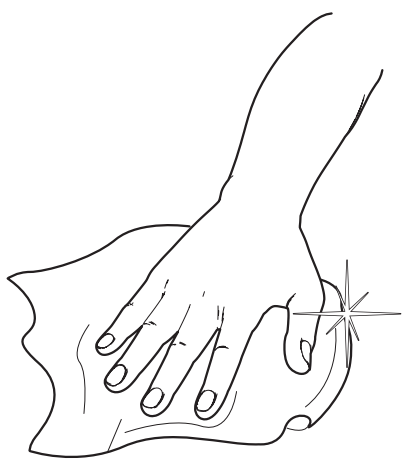




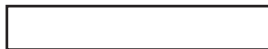
i



1



Artemide®



Artemide

via Bergamo, 18
20010 Pregnana M.se (MI)
ITALIA

tel. +39 02 935 181
fax +39 02 935 90 254
fax +39 02 935 90 496

www.artemide.com

VAT IT00846890150

cod. Y513000126A